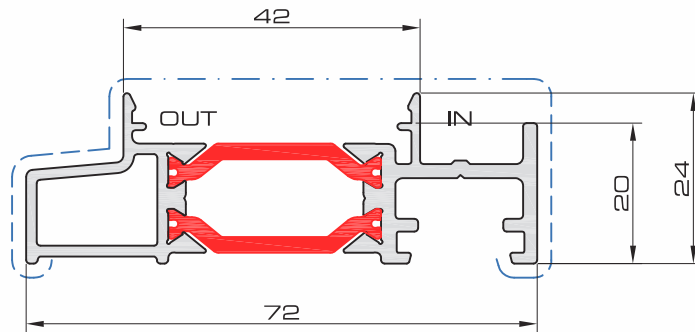


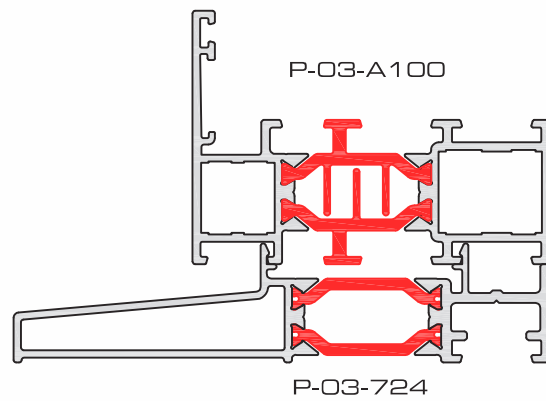
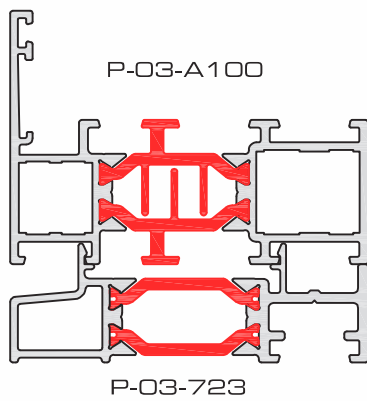
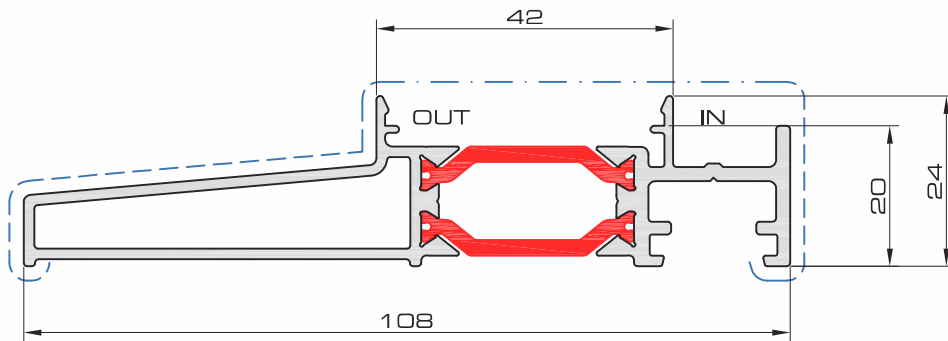


profielen - profils - profiles

P-03-723



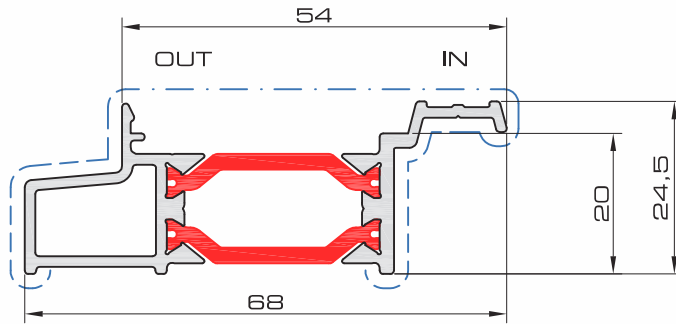
P-03-724



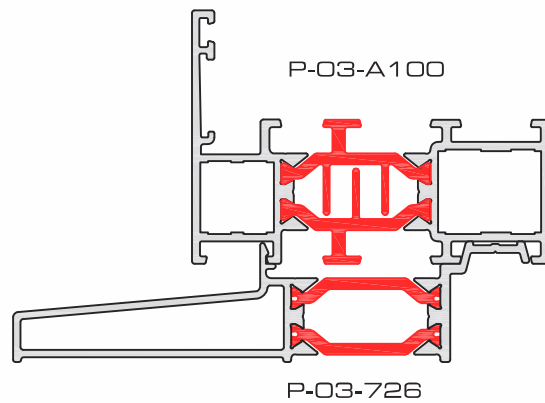
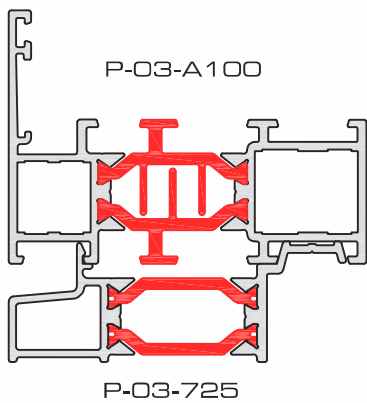
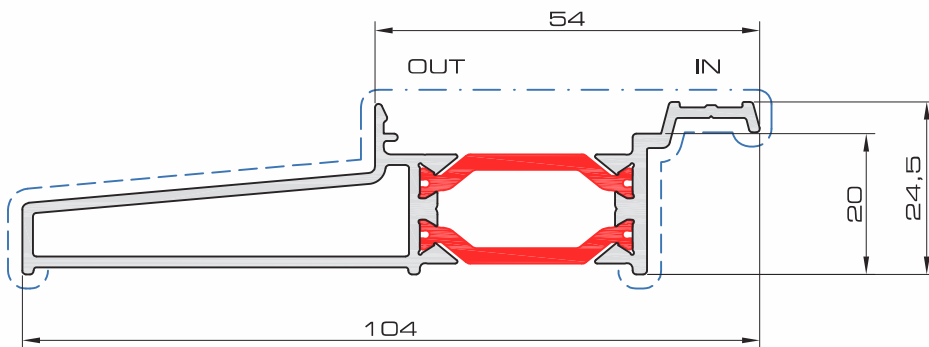
prof39



P-03-725



P-03-726

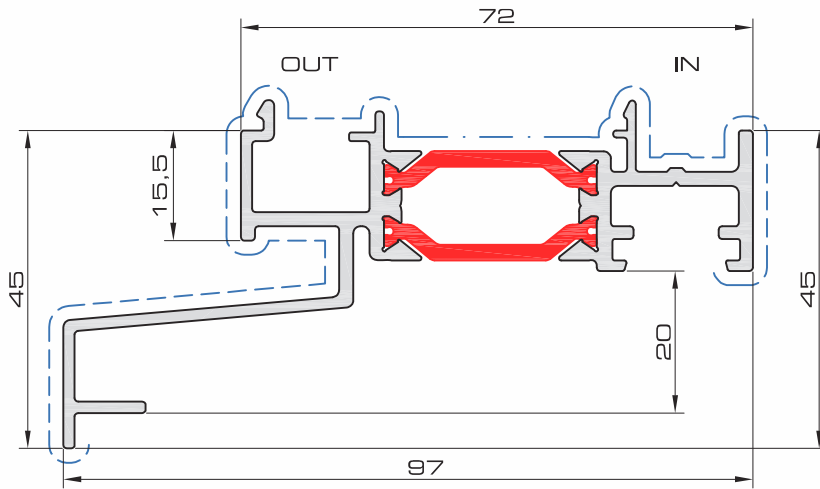


prof40



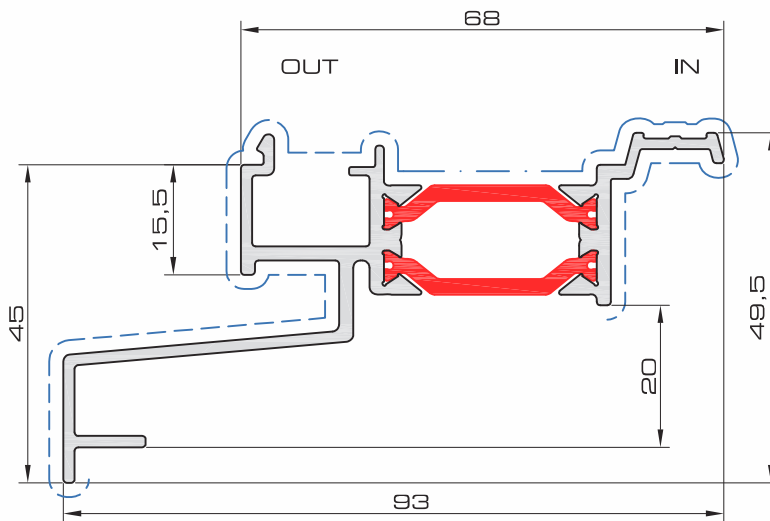
profielen - profils - profiles

P-03-727

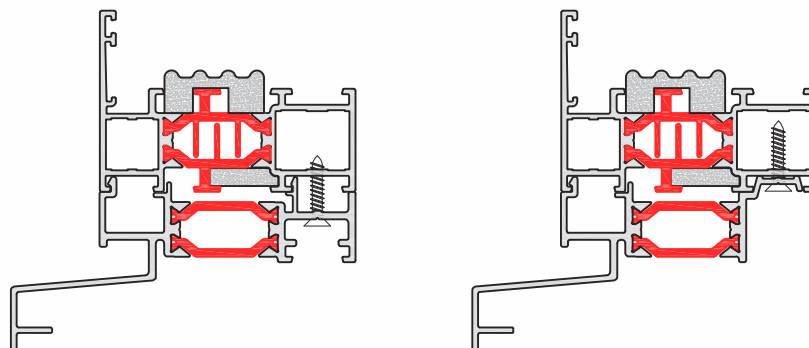


	$I_x = 39.84\text{cm}^4$
	$I_y = 5.09\text{cm}^4$
	$W_x = 8.02\text{cm}^3$
	$W_y = 1.7\text{cm}^3$

P-03-728



	$I_x = 25.35\text{cm}^4$
	$I_y = 5.41\text{cm}^4$
	$W_x = 4.97\text{cm}^3$
	$W_y = 1.8\text{cm}^3$



prof54